

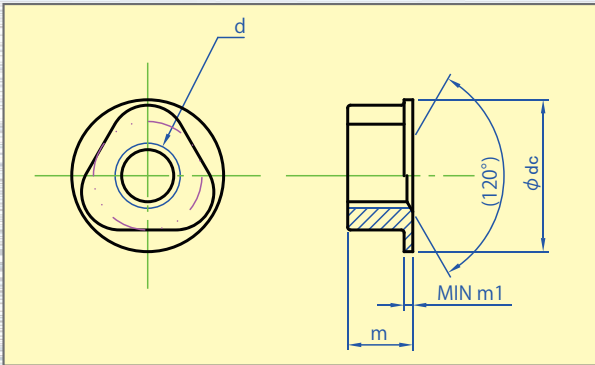
TAMPER PROOF NUT

Fujiyama Nut

NEW ITEM!



- Uniquely designed triangle shape.
- Special tool required for fastening.
- Largest size M16 available in stock.
- Material : StainlessA2



Nominal Size d	Flange Dia φ dc	Flange Thickness m1	Thickness m
M10	21	1.2	10
M12	25	1.5	11.5
M16	33	1.8	15

<Application>



▲ Product name comes from the shape of Mt. Fuji ▲



**Anti-theft,
Tamper Proof,
Protect your property**



310express Company
(A div of Saima Corp.)

✉ info @310ex.com
🌐 <http://www.310ex.com>

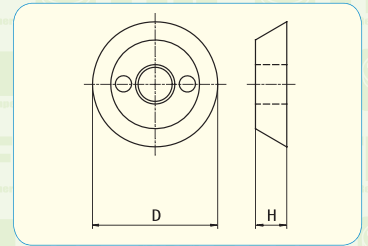


2 Hole Nut

Size Range : M6 · M8 · M10



- Stylish simple 2 hole recess.
- Good design for decoration.
- Special tool required for fastening.



Material : Zinc alloy
Zinc alloy + 3Cr
StainlessA2

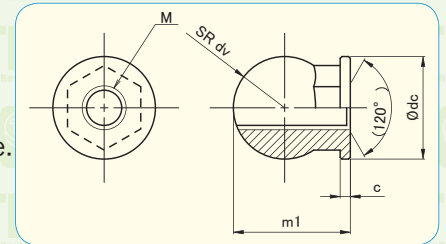
	M6	M8	M10
H	6.35	6.35	6.35
D	25.4	25.4	25.4
Driver Code	SPNUTB		

Candy Nut

Size Range : M10 · M12



- Beautiful round polished nut.
- Special tool required for fastening.
- Standard spanner or wrench are not applicable.



Material : StainlessA2

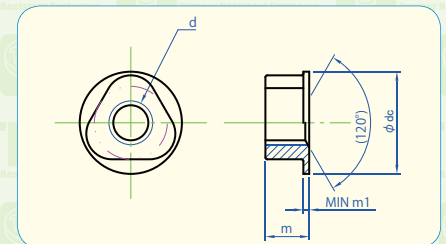
Nominal Size d	Flange Dia. φ d _c	Ball Dia. φ d _v	m1	c
M10	21	21	22.5	1.5
M12	25	25	26.5	1.5

Fujiyama Nut

Size Range : M10 · M12 · M16



- Uniquely designed triangle shape.
- Special tool required for fastening.
- Large size M16 available in stock.



Material : StainlessA2

Nominal Size d	Flange Dia. φ d _c	Flange Thickness m1	Thickness m
M10	21	1.2	10
M12	25	1.5	11.5
M16	33	1.8	15



310express Company
(A div of Saima Corp.)

2-9-17, Tsujido, Fujisawa, Kanagawa, 251-0047, Japan

+81-466-36-3656 info@310ex.com

FAX +81-466-36-0009

www.310ex.com



Applicable:
SAJ Head Quarter